



VEDA FRANCE

Joints bâtiment - Building joints

Joint de dilatation de sol sismique

Seismic floor expansion joint

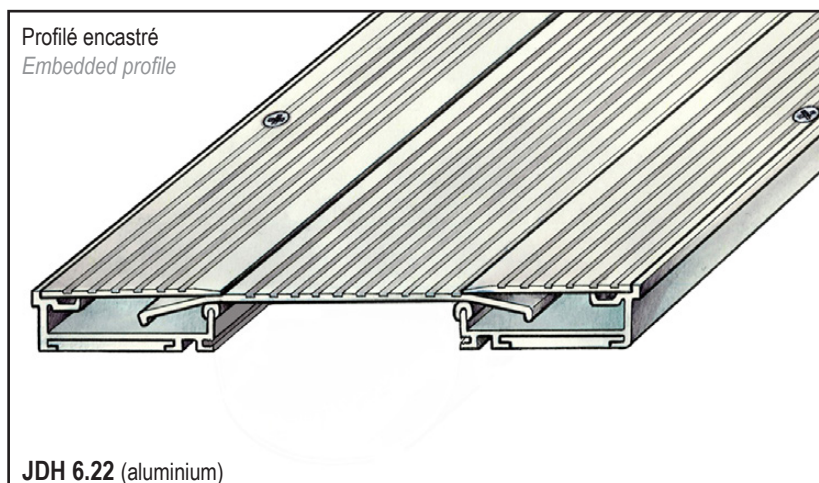
Series JDH 6.22 / JDH 6.24

Très grands mouvements sismiques

Wide seismic movements

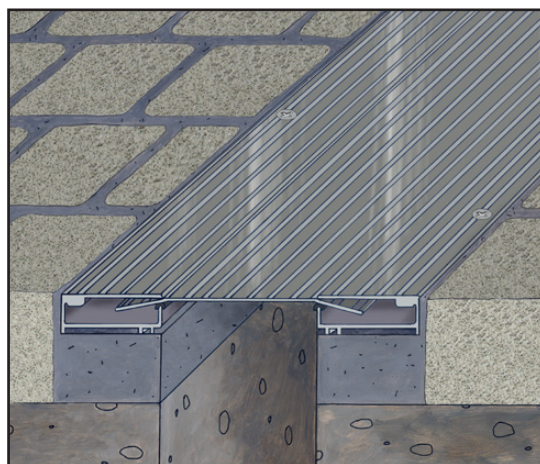
Joint de dilatation de sol en aluminium (JDH 6.22), ou en acier inoxydable (JDH 6.24) pour extérieur et intérieur. Très grands mouvements multidirectionnels.

Aluminium (JDH 6.22) or stainless steel (JDH 6.24) seismic expansion joint for floors, exterior and interior use. Wide multidirectional movements.

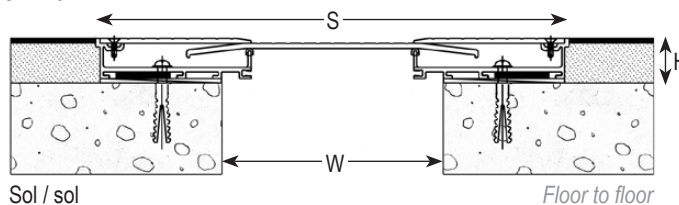


JDH 6.22 (aluminium)

JDH 6.24 (inox / stainless steel)



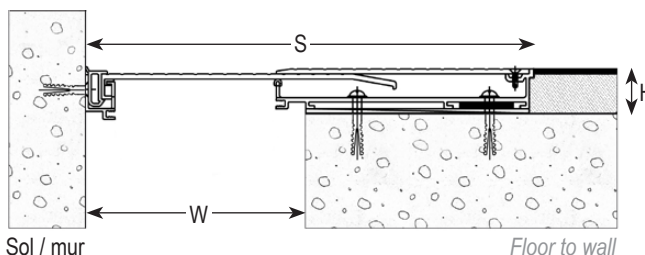
JDH 6.24



Sol / sol

Floor to floor

JDH 6.24 A



Sol / mur

Floor to wall

Ref. JDH 6.22	6.22-050	6.22-050 A	6.22-100	6.22-100 A	6.22-150	6.22-150 A	6.22-200	6.22-200 A
Ref. JDH 6.24	6.24-050	6.24-050 A	6.24-100	6.24-100 A	6.24-150	6.24-150 A	6.24-200	6.24-200 A
W [mm] ouverture / Gap up to [mm]	50		100		150		200	
H [mm] hauteur / Depth [mm]	27							
S [mm] approx.	170	125	250	210	320	305	420	408
Mouvement admissible M [mm] Accommodation of movement M [mm]	+25 / -25	+25 / -25	+50 / -50	+50 / -50	+75 / -75	+75 / -75	+100 / -100	+100 / -100
Matériau / Material	Aluminium ou inox 304 / Aluminium or 304 stainless steel							
Longueur standard [ml] Standard length [m]	3							
Charge [kN] Load-bearing capacity [kN]								

© All rights reserved - Non contractual drawings -12/2014



GV2 - VEDA FRANCE
20, Allée des Erables - 93420 Villepinte - France
Adresse Postale
CS 63052 - 95972 Roissy CDG Cedex

Tél : + 33 (0)1 48 61 70 80
Fax : + 33 (0)1 48 61 70 81
E-mail : contact@vedafrance.com
Web : www.vedafrance.com