



VEDA FRANCE

Joints bâtiment - Building joints

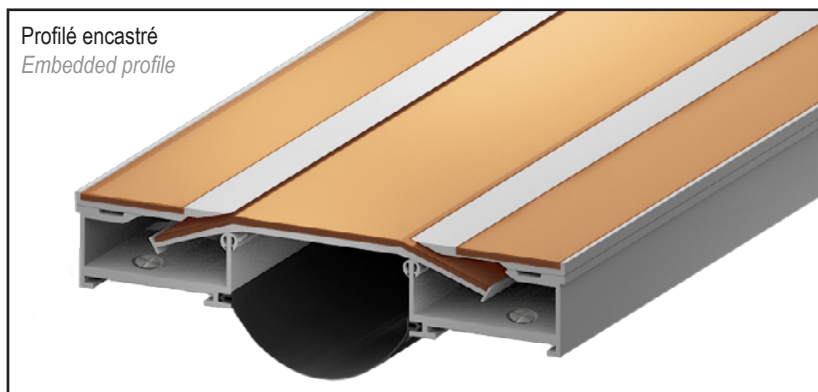
Joint de dilatation de sol sismique Seismic floor expansion joint

Series JDH 6.26

Très grands mouvements sismiques, spécial sols souples
Wide seismic movements, special flexible floors

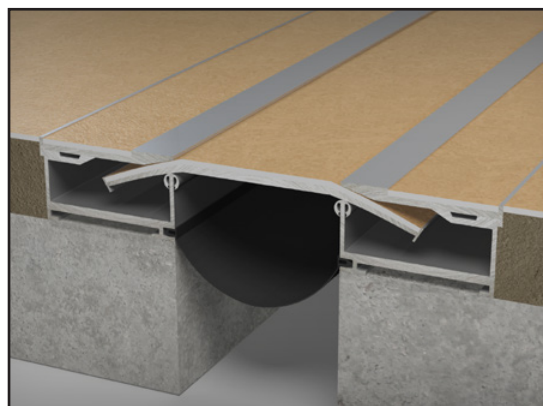
Joint de dilatation de sol intérieur pour hôpitaux, écoles, en aluminium pour utilisation avec un revêtement thermoplastique ou moquette +3 mm. Très grands mouvements multidirectionnels.

Seismic expansion joint for floors, specially recommended for hospitals, schools etc. Made of aluminium to cover with PVC or carpet finishings. Wide multidirectional movements.

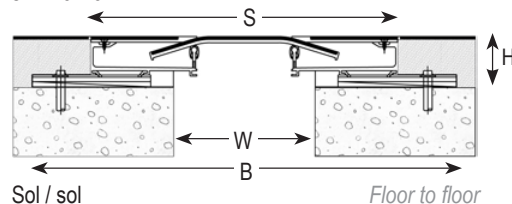


JDH 6.26

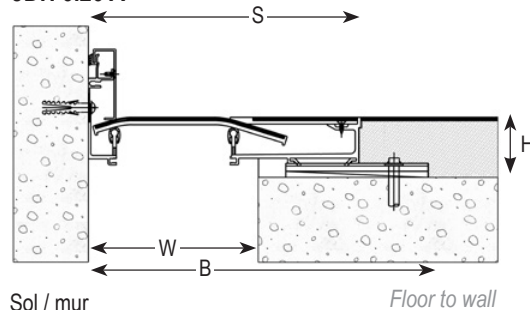
Spécial sol souple / *Special flexible floors*



JDH 6.26



JDH 6.26 A



Ref. JDH 6.26	6.26-050	6.26-050 A	6.26-100	6.26-100 A	6.26-150	6.26-150 A	6.26-200	6.26-200 A
W [mm] ouverture / Gap up to [mm]	50		100		150		200	
H [mm] hauteur / Depth [mm]	40							
S [mm] approx.	170	125	220	175	330	240	330	265
B [mm] approx.	330	205	380	255	490	320	490	345
Mouvements admissibles [mm] <i>Accommodation of movements [mm]</i>	+50 / -30	+40 / -30	+50 / -50	+40 / -30	+80 / -100	+55 / -60	+80 / -100	+55 / -80
Matériau / Material	Aluminium / Aluminium							
Longueur standard [ml] <i>Standard length [m]</i>	3							
Charge [kN] <i>Load-bearing capacity [kN]</i>								

The load-bearing capacity is always indicated for a joint in its initial position. In case of opening movements, the load-bearing capacity significantly reduces and the product will thus be only adapted for a light pedestrian traffic. The indicated load-bearing capacities are based on pneumatic wheels vehicles with a contact surface of 200x200 mm.

© All rights reserved - Non contractual drawings - 03/2018

ISO 9001:2015

BUREAU VERITAS
Certification



GV2 - VEDA FRANCE

20, Allée des Erables - Bât. E - 93420 Villepinte - France

Adresse Postale

CS 63052 - 95972 Roissy CDG Cedex

Tél : + 33 (0)1 48 61 70 80

Fax : + 33 (0)1 48 61 70 81

E-mail : contact@vedafrance.com

Web : www.vedafrance.com